

User and installer Manual Combi Inverter, Battery charger and Transfersystem

XP-COMPACT XPC 1400-12
XP-COMPACT XPC 2200-24
XP-COMPACT XPC 2200-48

Remote control **RCC-01**

Temperature sensor **CT-35**

Solar charge controller **XPCxxxx-5**

AC cable cover **CFC-01**

IP-23 top cover **C-IP23**



Summary

1	General Information	3
1.1	OPERATING INSTRUCTIONS	3
1.2	QUALITY AND WARRANTY.....	3
1.3	WARRANTY DISCLAIMER.....	3
1.4	LIABILITY DISCLAIMER.....	3
1.5	PRECAUTIONS	4
1.6	SPECIAL PRECAUTIONS	4
2	Introduction.....	5
2.1	PRINCIPLE SCHEMATIC	5
2.2	DESCRIPTION OF MAIN FUNCTIONS.....	5
2.2.1	<i>The inverter.....</i>	5
2.2.2	<i>The transfer system.....</i>	5
2.2.3	<i>The battery charger.....</i>	6
2.2.4	<i>The solar charge controller (optional).....</i>	6
2.2.5	<i>Remote control.....</i>	6
2.3	BATTERY CONNECTIONS	6
2.3.1	<i>Connection in parallel</i>	6
2.3.2	<i>Connection in serie</i>	6
2.3.3	<i>Connection in parallel and in serie.....</i>	7
3	Mounting and installing	7
3.1	INSTALLATION PLACE.....	7
3.2	FIXING.....	7
3.2.1	<i>XP-COMPACT.....</i>	7
3.3	PROTECTION COVER IP23.....	7
3.4	CONNECTIONS.....	7
3.4.1	<i>General instructions on connecting</i>	7
3.4.2	<i>Protection cover for the terminals connections</i>	8
3.5	CONNECTING PANEL / FRONT SIDE	8
3.6	CABLING/WIRING	9
3.6.1	<i>Pre-installation settings</i>	9
3.6.2	<i>Connection to battery.....</i>	9
3.6.3	<i>Connecting the 230Vac-Consumer Appliance (AC OUTPUT)</i>	9
3.6.4	<i>Connecting the 230Vac Input (AC INPUT).....</i>	9
3.6.5	<i>Connecting the Solar modules: SOLAR +/- (Only with solar option).....</i>	9
3.6.6	<i>Connection to Auxiliary Contact.....</i>	10
3.6.7	<i>Connection to Temperature Sensor (Temp.)</i>	10
4	Control.....	10
4.1	DISPLAY AND CONTROL PARAMETERS.....	10
4.2	DISPLAY AND CONTROL PARAMETERS ON REMOTE CONTROL PANEL (OPTIONAL)	11
4.3	LIGHT EMITTING DIODES (LED).....	11
4.4	PUSH BUTTONS.....	12
4.5	TURNING KNOBS.....	12
4.6	THE INVERTER	12
4.6.1	<i>Charge detection system „Standby“</i>	12
4.6.2	<i>Overload</i>	12
4.6.3	<i>Overheating (Over Temp).....</i>	13
4.6.4	<i>Battery Condition.....</i>	13
4.7	THE BATTERY CHARGER	13
4.7.1	<i>Cycle of charge</i>	13
4.7.2	<i>Equalization charging.....</i>	14
4.7.3	<i>Default value for battery charger</i>	14
4.7.4	<i>Charging current</i>	14
4.8	THE TRANSFER SYSTEM	14
4.8.1	<i>Set the transfer voltage threshold</i>	15
4.8.2	<i>FAST (UPS)- MODE for the Transfer Switch.....</i>	15

4.8.3	Delayed mode of the Transfer System.....	15
4.9	THE SOLAR CHARGE CONTROLLER (OPTION).....	15
4.10	THE MULTIFUNCTIONAL CONTACT	16
4.11	THE TEMPERATURE SENSOR.....	16
5	The Remote Control	16
5.1	REMOTE CONTROL PLUG-IN.....	16
5.2	POWER MONITOR.....	16
5.3	BATTERY CONDITION:.....	17
5.4	FAULT INDICATOR.....	17
5.4.1	<i>Overtemp. (I0)</i>	17
5.4.2	<i>Overload (I1)</i>	17
5.4.3	<i>Battery low/high</i>	17
5.5	DEPORTED ALARM CONTACT AND ON/OFF CONTROL.....	17
5.6	MANUAL CONTROL OF THE AUXILIARY CONTACT	17
6	Programming.....	17
6.1	STANDARD SETTING	18
6.1.1	<i>Battery voltage</i>	18
6.1.2	<i>Auxiliary contact</i>	18
6.2	RESET VALUE.....	18
6.3	BATTERY VOLTAGES AND ABSORPTION TIME:	18
6.3.1	<i>Table of voltage and timing threshold</i>	18
6.3.2	<i>Set the voltage and timing threshold</i>	18
6.4	PROGRAM THE AUXILIARY CONTACT	19
6.4.1	<i>Principle</i>	19
6.4.2	<i>The programming of the Auxiliary Contact is carried out in the following Steps</i>	19
6.4.3	<i>Example</i>	20
6.5	DISABLING SOME OF THE XP-COMPACT FUNCTIONS.....	20
6.5.1	<i>Diagram of the different mode</i>	20
7	Maintenance.....	21
8	CE Compliance	21
9	Technical Data	22

1 General Information

1.1 Operating instructions

This manual is a part of the delivery package of every XP-COMPACT inverter-charger. It serves as guidelines for safe and efficient operation of XP-COMPACT. The instructions are only valid for use with the following appliances and options:

- **XP-COMPACT XPC 1400-12**
- **XP-COMPACT XPC 2200-24**
- **XP-COMPACT XPC 2200-48**

- Temperature sensor CT-35
- Remote control RCC-01
- Solar charge controller XPCxxxx-S
- AC cable cover CFC-01
- IP-23 top cover C-IP23

Every person who installs a XP-COMPACT and/or works with it must be fully familiar with the contents of this manual and must follow exactly all the warnings and safety instructions. Installation of or any work on the XP-COMPACT must be carried out by a qualified and trained staff. Installation and application must comply with the respective local installations codes and safety regulations.

1.2 Quality and Warranty

During production and assembling, all XP-COMPACT appliances go through many controls and tests. Production, controls and tests are carried out in accordance with firm and established procedures. Every XP-COMPACT has its own serial number, which helps to refer back to its original data in the event of controls or repairs. That is why you should never remove the identification plate showing the serial number. The production assembly and tests on all XP-COMPACT appliances are totally carried out in our company in Sion, Switzerland. The warranty for these appliances is valid for uses and operating possibilities mentioned in this manual.

The warranty period for the XP-COMPACT is 2 years.

1.3 Warranty Disclaimer

We do not accept any responsibility for any damages occurring through use, manipulation, working situation and handling, which are not explicitly mentioned in these operating instructions.

Following cases are not covered by the warranty:

- High voltage at INPUT (i.e. 48V at the Battery INPUT of XP-COMPACT 1400-12)
- Reverse polarity on Battery connections (+/- reversed)
- Running liquid or oxidation through condensation in the appliance
- Defects caused by force, physical or mechanical means
- Changes not explicitly authorized by STUDER INNOTEK
- Not or only partly tightened screws and nuts after change of fuses or connecting cables
- Connecting other sources of energy such as PV-Modules on the INPUT „SOLAR +/-„
- Transport damage, i.e. through bad handling and /or packing
- Damage from atmospheric over voltage

1.4 Liability Disclaimer

Respecting this manual, servicing and method of installation, functioning, application and maintenance of the appliance can not be controlled or supervised by STUDER INNOTEK. Hence we do not accept any liability and responsibility for damages, loses and costs which result through the use of this appliance or which result through incorrect installation, incorrect operation or wrong application and maintenance or which by some other means maybe connected together to these. Similarly, we do not accept any responsibility for any violation of the patents rights or violation of any third party's rights resulting from the use of this appliance

STUDER INNOTEK reserves the right to modify the technical data or these operating instructions without issuing any prior notice.

1.5 Precautions

This manual must be readily available for the user at all times. The user must be familiar with the precautions and safety aspects.

During operation of XP-COMPACT, high voltages are generated at the connections and inside of the appliance which could be deadly fatal. Work on the appliance and on the installation should only be carried out by qualified and trained personnel.

The whole installation connected with the XP-COMPACT must comply with the respective valid codes and ordinances.

Persons without the written authorization from STUDER INNOTEK are strictly forbidden to carry out any changes or repairs on the appliances. For authorized changes only original parts are to be used.

The XP-COMPACT may only be used when it has been installed in accordance with these instructions and all parts have been correctly assembled and installed.

On the IN- and OUTPUT points of the XP-COMPACT only the already selected energy sources and consumer appliances should be connected.

In order to carry out any maintenance or repair work on the XP-COMPACT without danger, all connections must be disconnected beforehand.

Caution: Even when a XP-COMPACT has been disconnected from the all connections, at the OUTPUT point there could still be deadly fatal voltages present. To remove these voltages you must switch the XP-COMPACT ON with the ON/OFF switch. After one minute the electronics are discharged and any work can now be safely carried out.

The XP-COMPACT is only suitable for internal use and under no circumstances should it be subjected to snow, rain, or any other wet conditions

By installations in motorized vehicles the XP-COMPACT must be protected from water-spray and any other wet conditions..

The XP-COMPACT may only be connected to lead –acid or lead-gel batteries.

Caution: In normal use lead-acid and lead-gel batteries give out explosive gases. Never smoke or allow a spark or flame in the vicinity of batteries. The batteries must always be stored or placed in a well ventilated area, they should be placed in such a way that there is no danger of short circuiting through carelessness. Never charge frozen batteries.

The XP-COMPACT is not to be used or sold for life support equipment or applications.

1.6 Special Precautions

While working on batteries there should always be a second person close to you or within your voice range, in case help is needed.

Plenty of fresh water and soap must be ready at hand so that in case of acid coming in contact with skin, eyes and clothes, the areas in question can be thoroughly washed.

If acid enters the eyes, you must thoroughly wash the eyes with cold running water for at least 15 minutes. It is recommended that you immediately consult a medical doctor.

Baking powder neutralizes battery acid electrolyte. Always keep some at hand.

Special care must be taken when working with metal tools near or on the batteries. With tools such as screwdrivers, spanners etc. short-circuits can result. Sparks produced by the short circuit can cause an explosion.

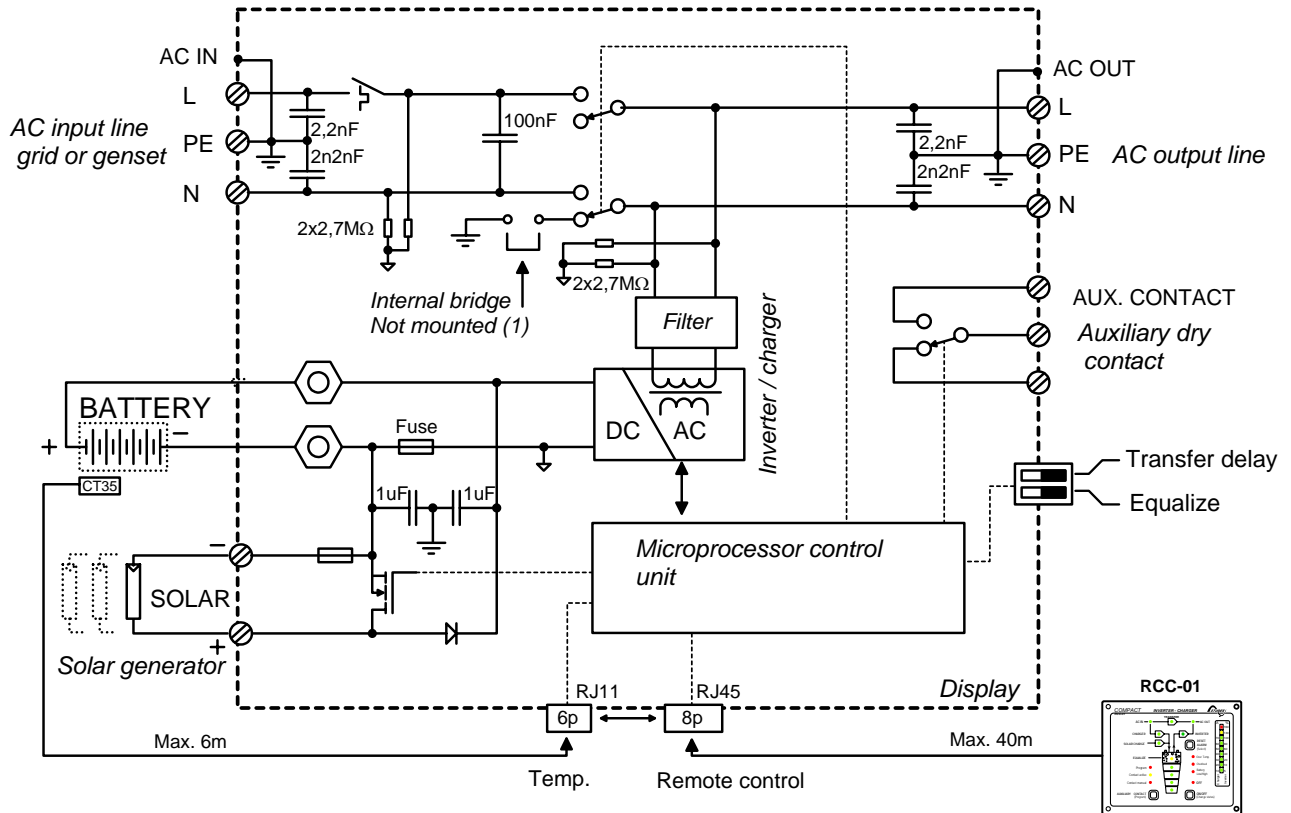
When working on batteries all personal metal items such as rings, necklaces and bracelets must be removed. Batteries are so powerful that short-circuit with these items can melt them and thus cause severe burns. Always follow the battery manufacturer's instructions.

Under certain conditions the XP-COMPACT or a connected generator can start automatically. While working on an electrical installation you must ensure that these appliances are disconnected beforehand from the installation.

2 Introduction

The XP-COMPACT is a sine wave inverter with integrated battery charger and solar charge controller with many additional functions, it has been developed to be used as stand-alone (no grid feeding) AC provider, or as continuous / break-free current supply provider (UPS).

2.1 Principle schematic



Note:

(1) **The neutral of the appliance is not connected to the earth** whatever the functioning mode is. If requested and according to the local regulation, an automatic connection between Neutral and earth in inverter mode only may be done by installing a bridge internally to the unit. Please contact your installer regarding this point.

2.2 Description of main functions

2.2.1 The inverter

The sine wave inverter built in the XP-COMPACT generates a sinusoidal AC voltage with an exceptionally precise voltage and stabilized frequency. In order to start large electric motors, the user has the possibility to employ a short-start-power which is 3-times the nominal power of the XP-COMPACT.

The inverter is protected against overload and short-circuits. A power stage with the latest MOSFET power transistors, a toroidal transformer and a fast regulating system make-up a robust and reliable inverter with highest efficiency. A 1-20 Watt adjustable charge detection system serves to provide the smallest energy consumption and ensures a long life for the battery.

2.2.2 The transfer system

XP-COMPACT can be connected to an AC source, for example a stand-by emergency generator or the AC network. With the transfer system, on one side you have an alternating voltage at the output for use by the connected consumer appliances. On the other side the batteries are charged. The distribution of energy between the consumer appliances and battery charger is automatic.

2.2.3 The battery charger

The built-in battery charger is so designed that it can charge the battery quickly and fully. A micro-processor controlled, 3 to 4 Step charging process ensures the optimum charging of the batteries. The desired charging current can be set continuously from 0 to maximum, according with particular technical specification (chap.6). The battery charger is meant for the lead-acid and lead-gel batteries. Thanks to the floating charge system the battery can remain continuously connected.

2.2.4 The solar charge controller (optional)

With the built-in solar charge controller, the XP-COMPACT is a complete solar-power-center. In a solar installation this controller ensures that the batteries are charged correctly. With the XP-COMPACT, batteries can be charged with a generator and with the solar modules at the same time. The charging of batteries with both energy sources is carried out fully automatically.

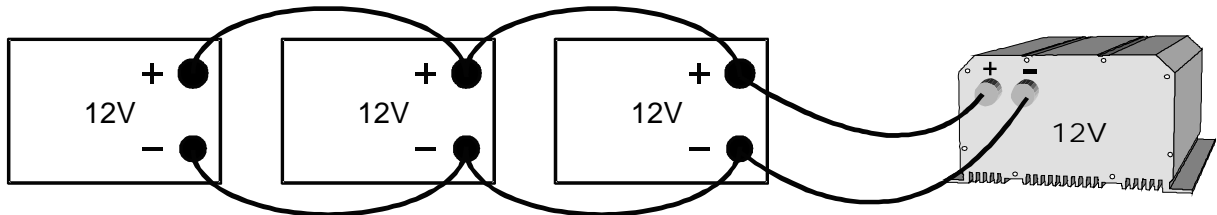
2.2.5 Remote control

As an option, a remote control can be connected to XP-COMPACT. Extra display and programming possibilities are available on the remote control (see Chap.5). The remote control is supplied with a 20m long cable. This cable can go to 40m long. On the remote control output power and charging current are also monitored.

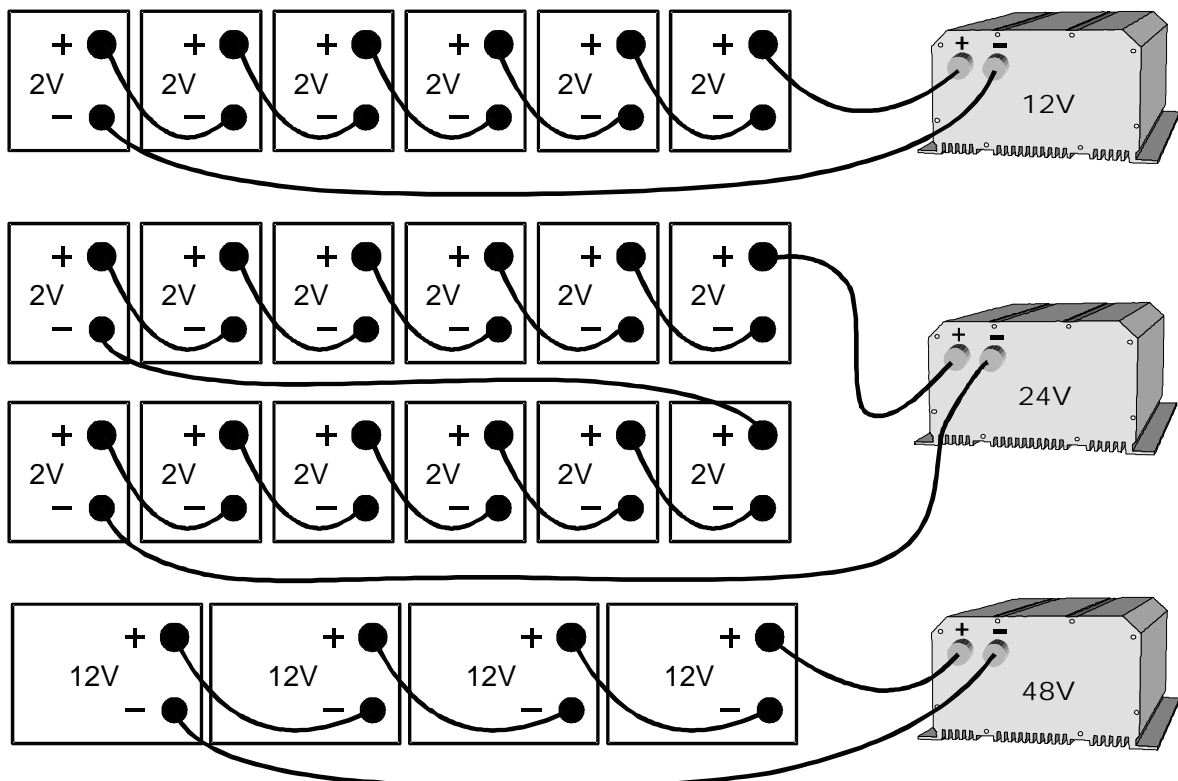
2.3 Battery connections

Lead-acid batteries are normally available in blocks of 2V, 6V or 12V. In most cases, to generate the necessary operating voltage and the capacity of the batteries for the XP-COMPACT many batteries have to be connected together in parallel and or in series. Following three examples are shown:

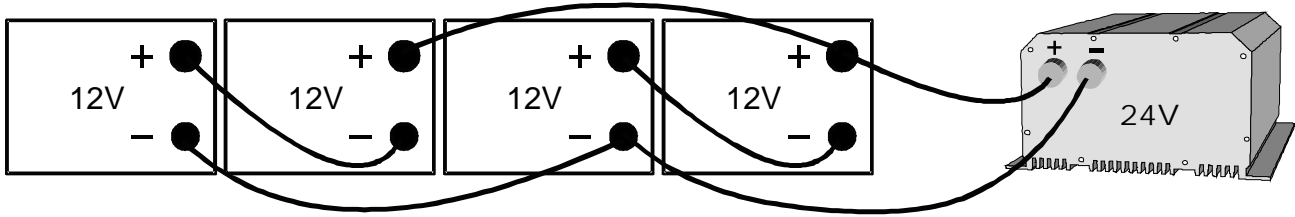
2.3.1 Connection in parallel



2.3.2 Connection in serie



2.3.3 Connection in parallel and in serie



3 Mounting and installing

3.1 Installation place

The location of the XP-COMPACT must be chosen by the following criteria:

- Protection against unauthorized handling
- Dry dust free room, no condensation
- Never install directly over the battery and never in a cabinet together with the batteries
- Keep ventilation holes free. The ventilation of XP-COMPACT is designed in such a way that it can only work efficiently when the appliance is fully lying on its back

In mobile installations it is important to keep down the vibrations as low as possible.

3.2 Fixing

3.2.1 XP-COMPACT

Basically the XP-COMPACT can be installed in any desired location. Preferred is that the appliance be wall mounted with battery cables downwards. The XP-COMPACT is fixed on the wall with four screws through the four holes (diam. 5.5mm) which are accessible from the outside. In motor vehicles XP-COMPACT must be fixed on vibrations reducing elements. The XP-COMPACT must not be fixed on a combustible base, as the back of the casing can get hot and reach up to 80 degree Celsius.

3.3 Protection cover IP23

This cover IP23 (Order ref. C-IP23), can be easily installed after the fixation of the XP-COMPACT. To install it, release a little the too screws down and more the two up. Then insert the IP 23 cover between the XP-COMPACT and the wall. The cover must touch the screws. Lock on the four screws, it's ready.



3.4 Connections

3.4.1 General instructions on connecting

The cable connection on the terminals AC INPUT / AC OUTPUT / 16A 230VAC are carried out with a screwdriver Nr.1 and the connection on the SOLAR terminal with a screwdriver Nr.2.

The conductor cross section on the terminals AC INPUT / AC OUTPUT / 16A 230VAC of the connecting cable must be minimum 2.5mm².

All connecting cables and also the mounted battery cables must be fixed with strain relief clamps.

The XP-COMPACT is delivered with battery cables already connected.

The battery cables must never be extended. If the extension can not be avoided, then the conductor cross section must be elevated accordingly.

To protect the battery cable, a fuse corresponding to the conductor cross section must be fixed directly on to the battery.

All cables must be tightly screwed in place. For safety, a yearly control is recommended. In mobile installations control must be carried out more often.

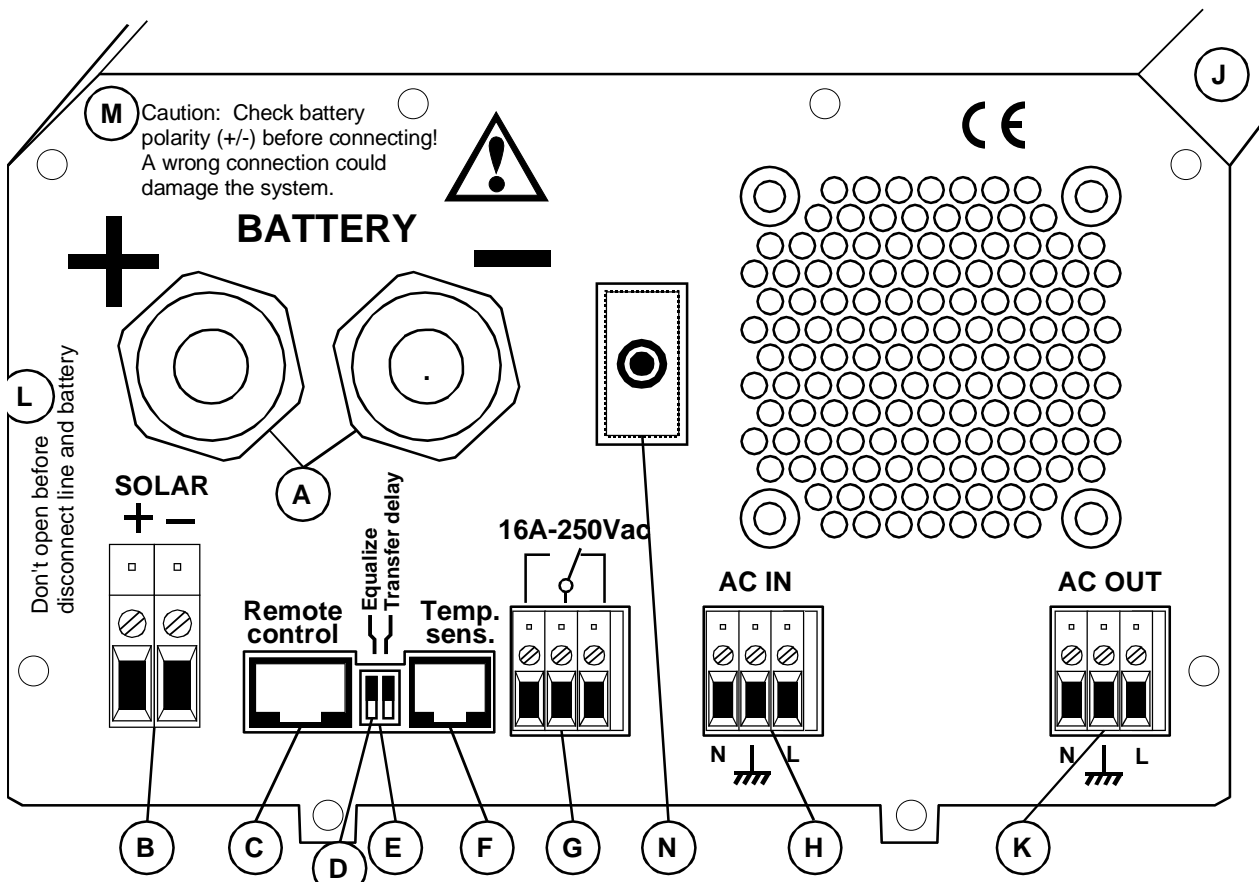
Connecting must be done by qualified staff. Material such as cable, connectors and distribution boxes, fuses etc. used in the installation must comply with the respective valid low-voltage installation rules and regulations.

3.4.2 Protection cover for the terminals connections

The protection cover is available in option (Order ref. CFC-01) and avoids to do wrong hazardous contact on the terminals 230Vac. It is mounted with strain relief clamps for the cable.



3.5 Connecting panel / Front side



- | | | |
|---|----------------|---|
| A | Battery +/- | Battery cable (already installed) |
| B | SOLAR +/- | Connecting terminal for Solar modules |
| C | Remote contr. | Connecting terminal for Remote Control RCC-01 |
| D | Equalize | Slide switch for equalization of the Battery |
| E | Transfer delay | Slide switch for Transfer Delay |
| F | Temp. sens. | Connecting terminal for Temperature sensor CT-35 |
| G | Aux. Contact | Connecting terminal for Auxiliary Contact |
| H | AC Input | Connecting terminal for AC-input. Located directly above this terminal is the automatic safety cut-out for this terminal. |
| J | ID Plate | Identification plate with Technical data and Serial number |
| K | AC Output | Connecting terminal for AC-output |
| N | 16A Protection | 16A Protection switch for the Transfer system |

3.6 Cabling/wiring

Connecting of the XP-COMPACT is a very important step in the installation. You must take care that all connecting work is carried out in a clean and correct manner and that under no circumstance a cable is connected to a wrong terminal.

Connecting of the XP-COMPACT must be carried out in the following order. In case of dismantling this order must be reversed.

3.6.1 Pre-installation settings

Before you start with the cabling of the XP-COMPACT you must set the type of battery. In case that sealed-gel batteries are used then you must set the small slide-switch „Equalize“ which is on the front with the connecting terminals, to OFF position. In case of „normal“ lead-acid batteries, these can handle a higher equalizing charge, the same slide switch can be set to ON position. In case of doubt leave the setting in OFF position.

3.6.2 Connection to battery

Get the batteries ready for connection: matching battery terminals, matching fuse on a clamp. Prepare battery cables, if necessary press on cable tabs/shoes. Connect red cable on Plus (+) pole and the black cable on the Minus (-) pole. On connecting the second cable to the battery pole a spark is produced, because for a short time high current flows into the XP-COMPACT to charge the capacitors. For this reason follow strictly the safety measures described in this manual. Check if the red LED OFF (13) is lit. If not, press shortly on the switch ON/OFF (19), now OFF should be lit.

On connecting the battery the XP-COMPACT needs 1 – 2 Minutes to calculate the actual capacity of the battery. During this time the battery condition is shown as 100% charged. (LED 15 lit).

If the LED 12 Battery Low/High is lit, the battery charge is too low. If the LED 12 Battery Low/High is blinking, the battery charge is too high.

Caution: With a wrong battery voltage the XP-COMPACT can be destroyed. (For example: connecting a XPC 1400-12 to a 48V-Battery).

Nevertheless if the XP-COMPACT had been connected with reverse polarity, it is highly probable that the fuse inside the casing is broken. Before opening the casing cover all terminals must be disconnected including the battery. If the XP-COMPACT does not function after the change of the fuse and correction of the polarity, it means that it is broken and must be sent for repair.

3.6.3 Connecting the 230Vac-Consumer Appliance (AC OUTPUT)

The 230V consumer appliance must be connected to the screw terminal AC OUTPUT. For this, use a 3-core cable with a conductor cross section of 2,5mm². Connections are marked as follows: “N“ Neutral, “PE“ Earth, “L“ Live. The Compact is a Class I appliance and the protective earth (PE) have to be connected according to the local rules, in order to insure safety of the installation. The Neutral (Input nor output) is not connected to Earth (see note (1) chap. 2.1).

Caution: High voltage can be there. Be sure that's the XP-COMPACT is turned off (LED 13 alight) before the connecting.

3.6.4 Connecting the 230Vac Input (AC INPUT)

The 230V-supply from network or from a generator must be connected to the screw terminals AC INPUT. For this use a 3-core cable with a conductor cross section of 2,5mm². Connections are marked as follows: “N“ Neutral, “PE“ Earth, “L“ Live.

3.6.5 Connecting the Solar modules: SOLAR +/- (Only with solar option)

Solar modules are connected on these terminals. Under no circumstance should any other energy source i.e. wind generator be connected to these terminals! Only solar modules must be connected with two cables +/- . Depending on the power of the modules, the cable cross section should be 2.5 up to 6mm². Before connecting it is necessary to check with a Voltmeter that the voltage of the Module meets the following values:

XPC 1400-12 17-25V/30A, XPC 2200-24 34 – 45V/30A, XPC 2200-48 68 – 90V/20A.

3.6.6 Connection to Auxiliary Contact

On these three terminals is a potential free change-over contact. The maximal permitted current and voltage for this is 16A/250Vac. The LED 5 “Contact active” shows the position of them: alight means active and off means non-active. The schematic view of the connections on the front shows the relay in the non-active mode.

3.5.7 Connection to Remote control

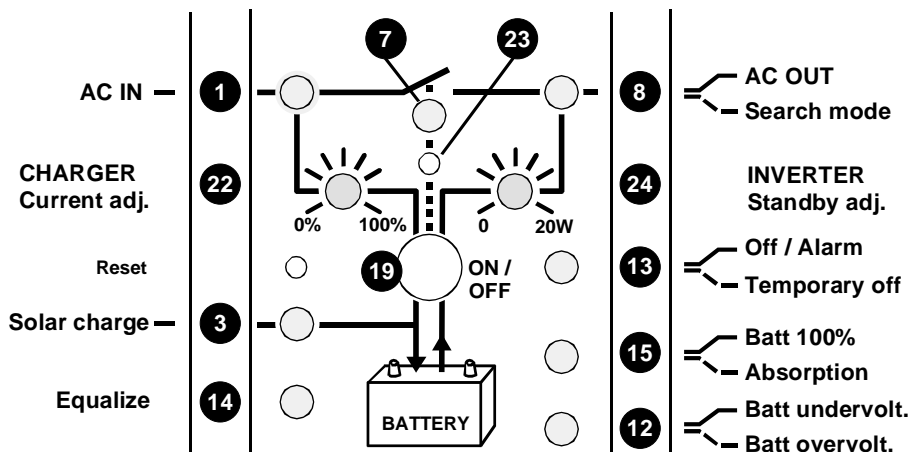
The Remote Control RCC 01 is connected in the terminal marked „Remote control“ with a RJ11/8 connector. The Remote Control can be plugged IN or plugged OUT during any operation situation. Push in the connector, without forcing it, until you hear the „click“, now the connector is locked in place. The same applies to the plug in the Remote Control. The length of the cable for Remote Control should not exceed 40m. We deliver it with 20m cable.

3.6.7 Connection to Temperature Sensor (Temp.)

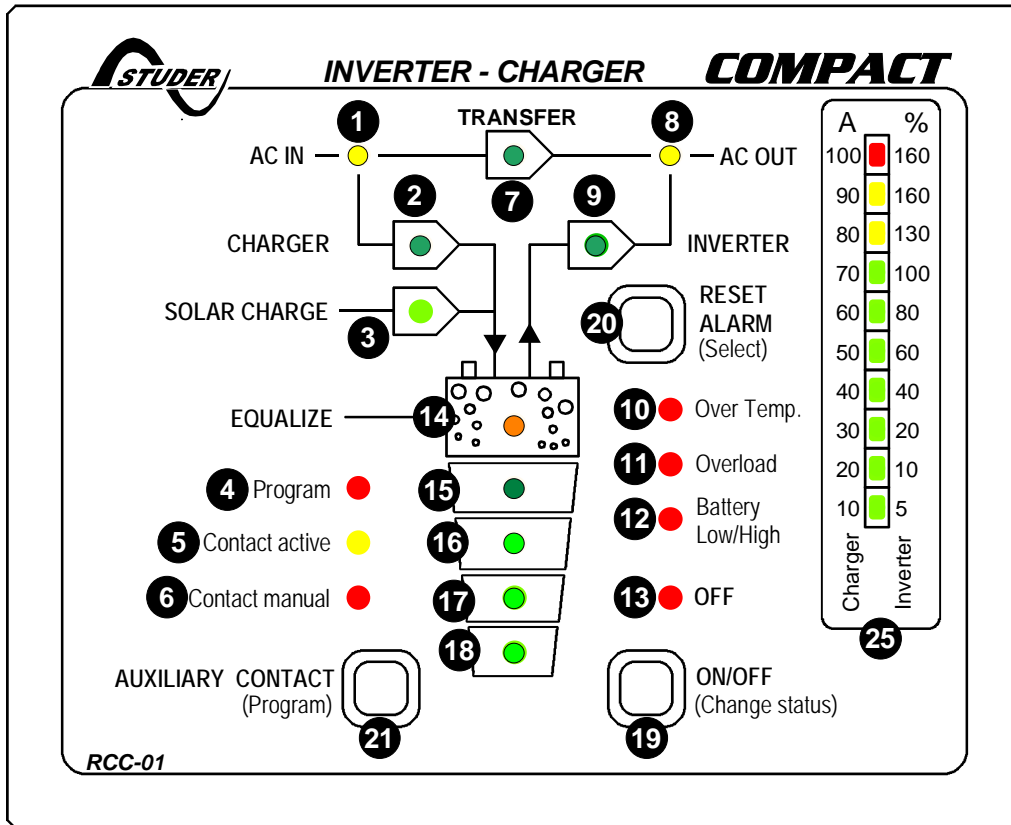
The Temperature sensor CT-35 is connected in the terminal marked „Temp“ with a RJ11/6 connector. The Temperature Sensor can be plugged IN or plugged OUT during any operating situation. Push in the connector without forcing it, until you hear a „click“, now the connector is locked in place. The Temperature Sensor must be glued to the wall of the battery or close to it. The Temperature Sensor cable must not be tied together with the battery cables or laid in a rope/bundle.

4 Control

4.1 Display and control parameters



4.2 Display and control parameters on remote control panel (optional)



4.3 Light Emitting Diodes (LED)

LED	Marking	LED lit	LED blinks
1	AC IN	Voltage at the AC IN input is within the accepted range (voltage and frequency)	Voltage, outside of the self-adjusted values is at the AC IN input.
2*	CHARGER	Battery Charger is working	The input voltage is out value (voltage or frequency)
3	SOLAR CHARGE	Connected Solar modules are delivering energy	
4*	Program	Program mode for Aux. Contact	
5*	Contact active	Auxiliary Contact is activated	
6*	Contact manual	Aux. Cont. manually activated	
7		Transfer system is active. Input AC voltage is directly connected to AC OUT outlet	Transfer system (by-pass) is disabled (see chap.6.5.1)
8	AC OUT	Voltage is present at the AC OUT outlet	The Inverter is in Standby mode. No loads are detected at the output
9*	INVERTER	Inverter is working	Inverter mode is disabled (see chap.6.5.1)
10*	Over Temp.	For the time being the XP-COMPACT is out of service because of overheating.	
11*	Overload	The XP-COMPACT is out of service because of overload or short-circuit	Overload due to connection of the grid or the generator at the output of the inverter. Please Check the

			wiring of the installation
12	Batt. Low/High	Battery voltage is too low	Battery voltage is too high
13	OFF	XP-COMPACT is turned off. Turning it back on is only possible manually.	XP-COMPACT is for the time being turned off. Turning it back on will follow automatically!
14		Battery Charger and/or Solar Charge Controller are doing an equalization cycle	
15-18*		Charge condition of Battery	LED 15 – Absorption time is running
25*	CURRENT MONITOR	Display the value of the output power in % of P _{nom} (in Inverter Mode) and the charge current in Amps. (in Charger Mode)	

4.4 Push buttons

19	ON/OFF	Turning the XP-COMPACT on and off (Help Button for Programming)
20*	RESET	Alarm Signal off (Help Button for Programming)
21*	Aux. Contact	Control Aux. contact (Help Button for Programming)

4.5 Turning Knobs

22	CHARGER	Adjustment for max. Charging Current (Not for Solar charge controller)
23	TRANSFER	Adjustment for Transfer Voltage Threshold (TRANSFER – INVERTER)
24	STANDBY	Adjustment for „Standby“ system

* Only on the remote control RCC-01

4.6 The Inverter

An Inverter is built in the XP-COMPACT, which generates a sinusoidal alternating voltage of a very high quality. With this Inverter any alternating voltage consuming appliance 230Vac up to the nominal power of your XP-COMPACT can be operated. Thanks to the generous dimensioning of the XP-COMPACT, you can operate appliances requiring higher power than the nominal power of the XP-COMPACT for a short time. The XP-COMPACT provides up to 3-times the nominal power to start motors.

4.6.1 Charge detection system „Standby“

In order to avoid unnecessary discharge of the battery, the inverter switches OFF automatically if no consuming appliance is connected and switches ON automatically again if a consuming appliance is connected. The LED 8 blinks if the inverter is in Standby-Mode. The switching-on/starting level can be adjusted with the turning knob 24 „STANDBY“. Adjusting the switching-on level is as follows: Switch off all consuming appliances; turn the Turning Knob 24 to the right until the LED 8 is blinking, switch on the smallest consuming appliance (i.e. Mobile phone charger); turn the Turning Knob slowly to the left until LED 8 is lit.

If the Standby mode is not wanted, turn the Turning Knob 24 to the left, to the OFF position.

4.6.2 Overload

If the Inverter is too long or too heavily overloaded, it switches off and LED 13 „OFF“ blinks. After approx. 10 seconds the inverter switches on automatically. If the Inverter is overloaded four times one after the other in a short time, then it no longer switches on automatically. The LED 13 remains lit. Press the push button 19 „ON/OFF“ in order to switch on the inverter.

4.6.3 Overheating (Over Temp)

If the Inverter has been overloaded for a long time or it has been working in a too high surrounding temperatures, it will switch off. The LED 13 „OFF“ blinks. After cooling down, the inverter switches back on automatically. One minute before the inverter switches off for too high temperature it gives out an acoustic alarm signal. The Auxiliary Contact programmed in factory to detect the high temperature synchronizes the relay with the alarm signal. In this way, for example, an emergency back up system can be started without any break in the energy supply.

4.6.4 Battery Condition

Deep discharging of the lead-acid batteries leads to high losses in capacity and early aging. This is why battery condition is continuously controlled and supervised. With low voltage the inverter switches off. The LED 12 „L/H Batt.“ is lit and the LED 13 „OFF“ blinks. When the battery voltage gets up to 12.1V / 24.2V / 48.4V, the Inverter switches on automatically. One minute before the Inverter switch off due to low voltage it gives out an acoustic alarm signal. If the Auxiliary Contact has been programmed to detect the low voltage then it synchronizes the aux. contact with the alarm signal. In this way, for example, an emergency back up system can be started without any break in the energy supply.

The low voltage is set to 11.8V / 23.6V / 47.2V. These settings are standard for most batteries. These voltage levels are maintained by the built-in Battery-Management-System of XP-COMPACT by matching the load and the battery condition.

This setting is comparable with the levels of 10.8V/ 21.6V / 43.2, which are given for most batteries on nominal load.

All voltage levels (equalization absorption floating and disconnection voltage), can be programmed by mean of the optional remote control.

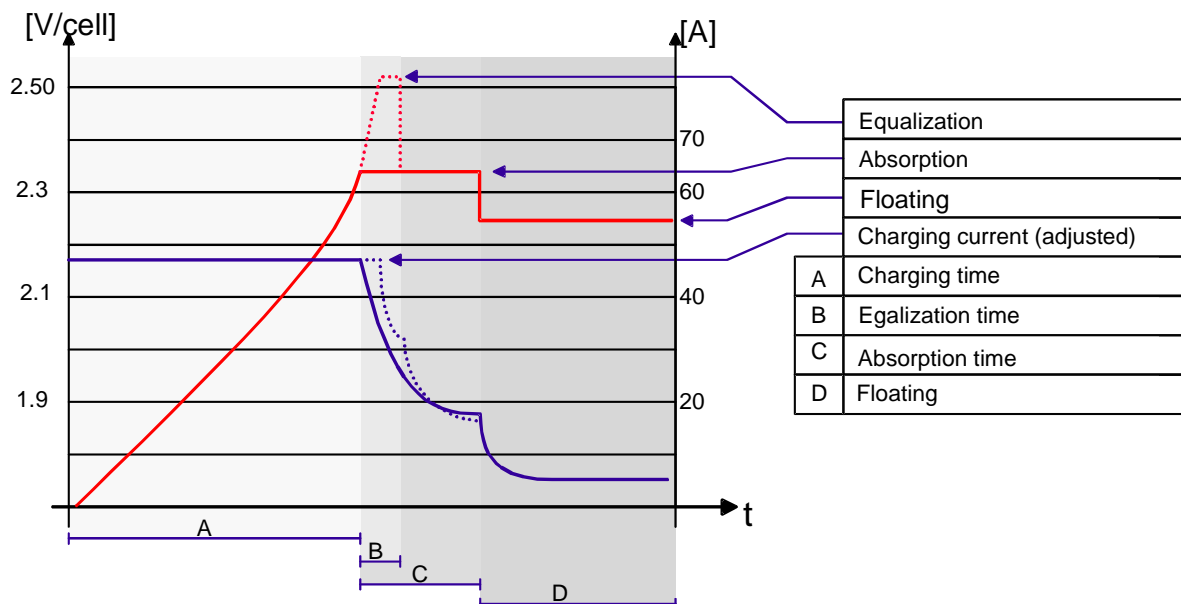
4.7 The Battery charger

4.7.1 Cycle of charge

The full automatic XP-COMPACT Battery Charger is adjusted at the factory so that most lead-acid and lead-gel batteries can be charged to the maximum. As soon as the minimum alternating voltage for the AC IN set on the Turning Knob 23 is available at the input (LED 1 AC IN is lit), the transfer switch is activated and the battery charger is switched on automatically (LED 2 on optional RCC-01 is lit). The battery is fully automatically charged matching to the charge level, the pre-settled voltage levels and the charge current. Thanks to the built-in Float Charge System, the batteries can be left connected for unlimited time with the Battery Charger switched on.

During the charging phase the consuming appliances at the outlet AC OUT are continuously supplied with power (LED 8 AC OUT is lit).

The charger functions are shown in the following diagram:



4.7.2 Equalization charging

Before you program the XP-COMPACT for Equalization-charge you must check with your supplier that the batteries are suitable for this process.

Equalization is recommended for the lead-acid batteries in order to mix well the electrolyte fluid and to clean the lead plates.

Equalization mode should never be used when using Gel-Batteries

If the XP-COMPACT is operating with a lead-acid battery, which is suitable for equalization, the slide switch „Equalize“ which is on the cable connection side, must be placed in the ON position. In this setting, at every 25 charge cycles an equalization cycles is carried out for 20 minutes (factory setting). During such a charge cycle the LED 14 is lit. Charge cycle with equalization can be started independently of the actual program. For this the slide switch must be slid from “OFF” to the “ON” position. The LED 14 will light up. If the periodic equalization is not required, slide switch must be slid back to the „OFF“ position after the completion of the manual cycle.

**CAUTION: During the equalization process, the batteries produce lot more gas.
DANGER OF AN EXPLOSION!!**

4.7.3 Default value for battery charger

Low voltage LED 13			Float Charge LED 12			Absorption LED 11			Equalization LED 10			Absorpt. Time LED 10->13
12V	24V	48V	12V	24V	48V	12V	24V	48V	12V	24V	48V	12/24/48V
11.6	23.2	46.4	13.5	27.0	54.0	14.4	28.8	57.6	15.6	31.2	62.4	2 h

These values could be modified thanks the optional remote control.

4.7.4 Charging current

The maximum charging current for the battery can be adjusted with the Turning Knob 22 (CHARGER). The charging current of the battery should be set to approximately 10 – 20% of the battery capacity (at C10). This means that the charging current for a battery with 200Ah should be set between 20 – 45A.

In charging mode, the XP-COMPACT is acting as a consumer (load) like any other connected load to the grid or the generator. His consumption should be added to the consumption of every active consumer connected at the AC output of the XP-COMPACT. The maximum used current used by the charger is limited to 6A. This mean that the minimum required current from the source is 6A or greater. If that's not the fact, the charging current should be diminished proportionally. For instance, a 3A source will required to adjust (knob 22) the charging current to half of the max. value. In order to insure a perfect functionality of the overall system with a generator as AC source, this one should be at least 1500VA

Note: IN no cases the XP-COMPACT will limit the current from the source. The source should be sized in order to supply all active connected appliance plus the charging current of the XP-COMPACT.

4.8 The Transfer system

When an ac voltage is at the input AC IN of the XP-COMPACT, the LED 1 AC IN is lit. When this voltage is higher than 200Vac, and the frequency is between 44Hz and 65Hz, this voltage is switched directly to the battery charger and to the output AC OUT. The LED 7 TRANSFER is lit. The inverter is switched off and the battery charger switched on. This process is automatic, unless the charger mode or the transfer mode is disabled (see Chap. 8.5.1)

The maximum current of the Transfer switch is 16A. That means through this system, consuming appliances up to a maximum of al 3700 Watt can be operated. When the Battery Charger is working, part of this power is used for the charging the battery.

The Transfer system is protected against overload with a 16Amp. Automatic safety fuse on the AC Input side of the XP-COMPACT. If the system has been overloaded the button/pin of the fuse will pop-out. To put the automatic safety system back in to operating you must push this pin back.

Note: In the Inverter operation, The XP-COMPACT generates a true sinusoidal and quartz stabilized output voltage. When, however the XP-COMPACT is supplied from a grid or a generator and

the transfer contact is active, then you have at the output AC OUT the same voltage as that at the input. This voltage can not be modified by the XP-COMPACT!

4.8.1 Set the transfer voltage threshold

The voltage threshold of the transfer is factory settled at 200Vac. This value is acceptable in most application. However, this value can be adjusted from 150 to 230Vac if necessary. To proceed to the adjustment of this level, insert a screw-driver N° 0 vertically in the hole (23) and turn gently clockwise or counter clockwise to increase or diminish the threshold level. When the Input voltages reach the settled value on turning knob, the inverter switch off and the AC INPUT go directly on the AC OUTPUT. When the voltage INPUT is less of 20V the value set, the transfer is stop and the OUTPUT switch back on the inverter.

Don't use the turning knobs "TRANSFERT" (23) to adjust the AC OUTPUT voltage!
This is only it's only a voltage threshold level to enable or disable the transfer.

4.8.2 FAST (UPS)- MODE for the Transfer Switch

The quick and break free Transfer mode is programmed with a slide switch „Transfer Delay“ OFF, which is on the front side (cable connections side).

The aim of the XP-COMPACT is to supply the consuming appliance with a break-free alternating voltage. When the incoming voltage AC IN no longer matches values which have been set with the Turning Knob 23, the Inverter switches on at once. The transfer is carried out in 0.02 seconds. This quick transfer ensures a break-free function for most consuming appliances. If you have an alternating voltage back at the input AC IN, transfer system starts up again without any break, and the inverter is stopped.

4.8.3 Delayed mode of the Transfer System

The delayed mode of the transfer system „Transfer Delay ON“ is programmed with the slide switch on front with the cable connections. The XP-COMPACT provides a break-free alternating voltage for the consuming appliance. A quick transfer switch is not always sensible nor is it always desired. For example, when the consuming appliances are operated by a small back-up generator, an overload of a short duration on such a generator, i.e. start of a vacuum cleaner etc., has the effect of decreasing the voltage for a short time. As in such cases the transfer to the Inverter is not desirable, the transfer system can be programmed with a delay. When the slide switch (Transfer delay) is in the „On“ position, the transfer to the inverter takes place with a delay of 5 seconds. If the voltage falls below 100Vac, the transfer takes place without delay! The transfer switching to the Inverter takes place without any break.

4.9 The Solar charge controller (option)

The XP-COMPACT also has a Solar Charge Controller built in. For charging the batteries, Solar modules can be connected to the screw terminal SOLAR +/- . The in-built controller is a „Shunt controller“ for the maximum input current of 30A for XPC 1400-12 and XPC 2200-24 and 20A for XPC 2200-48. The operating voltage of Solar panels to be connected must match the actual operating voltage of the XP-COMPACT and never exceeds the max. rated value.

Under no circumstances should any other systems such as wind-generator be connected at the input of the Solar Charge Controller.

The Solar Charge Controller works automatically and is always in operation. As soon as the energy is delivered from the Solar Charge Controller, LED 3 "SOLAR CHARGE" is lit and the batteries are being charged. The Solar Charge Controller works even when the Battery Charger is functioning. The way of working is the principally the same as that of the Battery Charger. The function is described in the section on Battery Charger. The programming and the adjustments, thanks the optional remote control, are carried out in accordance with the same conditions. Check with your battery supplier which adjustments must be carried out for your battery.

4.10 The Multifunctional Contact

In the XP-COMPACT there is a built-in power relay. The potential-free change-over contact (NO – NC) of this power relay is connected to the screw terminal AUX CONTACT.

Maximum Contact load: 230Vac /12Vdc/24Vdc/16Amp
60Vdc/3 Amp. !

The contact is activated when the XP-COMPACT is halted or by a fault condition, or by a normal manual stop done by pushing push-button 19.

This auxiliary contact can be freely programmed for any displayed functional status through the remote control (refer to chap.5)

4.11 The Temperature sensor

Operating voltage of lead-acid batteries change depending on the temperature. To correct the operating voltages according to the actual temperatures, a temperature sensor can be connected to the COMPACT.

The compensation through the sensor is $-3mV/^{\circ}C/Cell$.



Order Number: CT-35

Dimensions: H x B x T / 58 x 51.5 x 22mm

5 The Remote Control

As an option a Remote Control can be connected to the XP-COMPACT through a standard supplied 20m long cable. It can be extended to 40m.

The Remote Control is suitable for surface mounting on the wall or on to a switch board. It is fixed with 4 screws.

All operating controls and displays except from level adjustment are available on the Remote Control. Several extra features are implemented in the remote control:

- A charging current monitor (25)
- Output power monitor (25)
- The battery status monitor
- Auxiliary contact programming
- Battery voltage level adjustment
- Remote Alarm contact and command



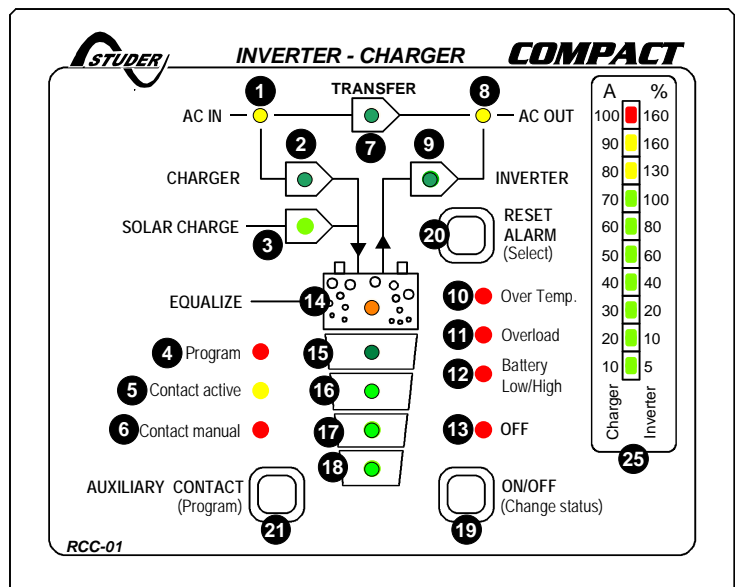
5.1 Remote control plug-in

The remote is delivered with a 20m long cable and can be connected or disconnected at any time while the main unit is running (hot plug).

The remote control can be mounted with the frame or directly on a board. The screws are not supplied.

5.2 Power monitor

The instantaneous power of the inverter in % off Pnom or the charging current is continuously displayed on LED lines (25).



5.3 Battery Condition

Built-in microprocessor calculates the actual state of charge of the battery and displays it on LED 15 – 18. The LED 14 is lit when the system is carrying out a charge cycle with equalization. The voltage levels and charge characteristics can be changed through Programming. The instruction for programming of battery levels is in the section „Programming”

5.4 Fault indicator

5.4.1 Overtemp. (10)

For the time being the XP-COMPACT is out of service because of overheating due to high ambient temperature or excessive overload

5.4.2 Overload (11)

The LED indicator lights when the inverter is suffering a load higher than the permitted overload during more than 5 seconds.

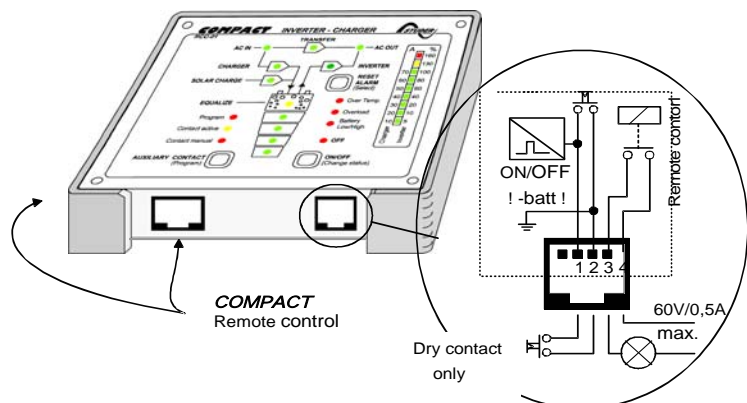
5.4.3 Battery low/high

The LED indicator lights when the battery voltage is too low and blinks when it is too high.

5.5 Remote alarm contact and on/off control

In the Remote Control there is an additional Alarm Contact and a Control Input built in. These two functions are available through Tip-jack RJ11/4 for use. This Auxiliary Contact is Front / Work Contact (max. 0.5A!), which is independent of the Auxiliary Contact of the XP-COMPACT. This contact is active in case of an alarm of the XP-COMPACT.

The Control Input is connected in parallel to the ON/OFF- push button. The XP-COMPACT can be switched on or off through this input with an impulse button or an impulse contact.



Order Number for Remote Control: RCC-01

Dimensions: H x B x T / 111.5 x 136.5 x 25mm

Caution: No external voltage should be connected to this Input Control.

5.6 Manual control of the auxiliary contact

The auxiliary Contact can be operated at any time with the Push Button 21 (AUX. CONTACT). The LED 6 „Contact manual“ lights up as information that the Contact is manually operated, and LED 5 „Contact active“ lights up when the Contact is active. By pushing the Push Button 21 a second time, the Contact is deactivated. By pushing it the third time, automatic functions are restored. When the auxiliary contact is manually controlled (LED 6 lit) the programmed control of the contact is disabled. In program mode, the auxiliary contact may be automatically actuated by every displayed status of the XP-COMPACT. Refer to chapter 6.4 for programming the auxiliary contact.

6 Programming

Programming the charging parameter and the auxiliary contact is only possible thru the optional remote control. This programming allows to changing the factory setting parameters for battery management and auxiliary contact.

6.1 Standard setting

The XP-COMPACT (except for 60Hz versions) is equipped with a Flash processor fitted out with EEPROM Memory, which means that even when it is disconnected from the battery, the parameters that were programmed for the application remain after a new connection to the battery.

It is possible to reinitialize (RESET) the XP-COMPACT by pressing simultaneously on the three push buttons 19/20/21 during at least 2 seconds. A beep will confirm the RESET. The inverter switches off after this operation. It can be turned on again after the beep. The programmed parameters will remain.

The XP-COMPACT is delivered with the following default setting:

6.1.1 Battery voltage

Low voltage	11.6V / 23.2V / 46.4V
Float Charge	13.5V / 27.0V / 54.0V
End of Charge Voltage	14.4V / 28.8V / 57.6V
Equalization	15.3V / 30.6V / 61.2V
Absorption Time:	2 Hours

6.1.2 Auxiliary contact

Active in case of defect or manual turn off with the LED 10/11/12/13

6.2 Reset value (default settings)

To come back to the default settings, press simultaneously on the push buttons 20/21 during at least 2 seconds. A beep will confirm the comeback to the factory settings. The inverter switches off after this operation. It can be turned on again after the beep.

6.3 Battery voltages and absorption time

The voltage levels (low voltage, float charge, end of charge and equalization) and the duration of the absorption charge can be changed.

The display of these voltages and the times in the program mode are in accordance with the diagram shown below:

6.3.1 Table of voltage and timing threshold

LED	Low voltage LED 13			Float Charge LED 12			Absorption LED 11			Equalization LED 10			Absorpt. time LED 10->13
	12V	24V	48V	12V	24V	48V	12V	24V	48V	12V	24V	48V	
14	12.0	24.0	48.0	13.7	27.4	54.8	15.0	30.0	60.0	15.5	31.0	62.0	4 h
15	11.8	23.6	47.2	13.6	27.2	54.4	14.8	29.6	59.2	15.4	30.8	61.6	3 h
16	11.6	23.2	46.4	13.5	27.0	54.0	14.6	29.2	58.4	15.3	30.6	61.2	2 h
17	11.4	22.8	45.6	13.4	26.8	53.6	14.4	28.8	57.6	15.2	30.4	60.8	1 h
18	11.2	22.4	44.8	13.3	26.6	53.2	14.2	28.4	56.8	15.1	30.2	60.4	0 – 1Min.

The heavy printed values show the standard settings.

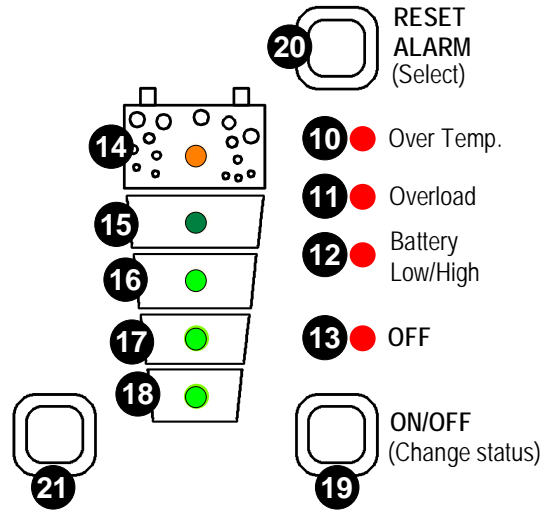
6.3.2 Set the voltage and timing threshold

The programming is done in accordance with the following steps:

Push and hold down, the Push Button 21 (Program) and the Push Button 19 (Change status) for minimum 2 seconds simultaneously.

With the Push Button 20 (select) select with of the battery level and the absorption time to be changed.

These four red LED show the function set:
 Low voltage LED 13
 Float charge LED 12
 Absorption (End of charge) LED 11
 Equalization LED 10
 Absorptions Time LED 10/11/12/13



With the Push Button 19 (Change status) set the desired parameter (voltage or the time) to modify (LED 14/15/16/17/18). Push Button 19 (Change status) to set the desired value according to the table 6.3.1.

If desired, repeat the operation with any other parameter (voltage or time) to be changed.

If during 10 seconds no buttons are pressed, the selected values are automatically stored and the XP-COMPACT switches back in to the normal operating status.

The voltage levels and times changed through programming are only first active with the next charge cycle !

The voltage levels which are not suitable can greatly reduce the battery life or could even destroy it! Therefore check beforehand with your battery supplier.

6.4 Program the auxiliary contact

With the Push Button 21 „AUXILARY CONTACT“ the contact can be manually switched on or off independent of programming and the operating situation. The LED 5 “Contact active” show the state of the contact. The drawing up the screw terminal “AUX CONTACT” is the inactive position mode, LED 5 “Contact active” off.

The switching on and off of this contact can be freely programmed for every operating situation of the XP-COMPACT witch situation is indicated with a LED. There is no limitation to its application and it is left to your wishes and desires as to where and how you would like to use it.

6.4.1 Principle

The Auxiliary Contact can be basically programmed for any operating situation of the XP-COMPACT which is indicated with a LED. The programming is possible for one or more operating situations. If the contact is programmed for many situations, it is activated as soon as the XP-COMPACT finds itself in any one of the programmed situations. This means that the way of workings of the contact meets that of the logic OR-Function.

6.4.2 The programming of the Auxiliary Contact is carried out in the following Steps

The Push Button 21 (Program) press down for min. 2 seconds. The LED 4 „Program“ is lit as an indication, that the XP-COMPACT is in program mode.

A lit LED shows the programmed condition for the auxiliary contact. (LED 10/11/12/13 factory setting)

With the Push Button 20 (select), select the desired condition in which the contact should be activated.

With the Push Button 19 (Change status) confirm or change the status for this condition.

If desired, with the Push Button 20 (select) select another condition in which the contact should be activated.

With the Push Button 19 (Change status) confirm or change the status for this condition.

If during 10 seconds no buttons are pushed, then the settled values are automatically stored and the XP-COMPACT switches back to normal operating condition.

6.4.3 Example

6.4.3.1 Auxiliary Contact as generator starter

When in the programming of the Auxiliary Contact, the Battery Capacity (LED 15-18) is used as a condition, then you must take note of the following requirements.

If you have to start an emergency back-up supply with a battery having a certain residual capacity, then two battery levels must be programmed. The first (i.e. Battery 25% LED 17) for starting or activating the Auxiliary Contact, and the second (i.e. Battery 100% LED 15) for stopping or deactivating the Auxiliary Contact. By programming like this the Auxiliary Contact is active with the lowest set condition and release when it has reached the highest programmed condition through charging.

6.4.3.2 Auxiliary Contact as Twilight Switch (With solar charger option)

The Auxiliary Contact of the XP-COMPACT can also be used as a twilight switch, i.e. for operating automatically the exterior lighting. With it the connected solar modules measure the light intensity. To function as a twilight-switch the Auxiliary Contact must be programmed so that the condition SOLAR CHARGE (LED 3) is active. Programming must be carried out in steps and in accordance with the description for the programming of the Auxiliary Contact.

6.4.3.3 Second priority cut-off

The Auxiliary Contact can use to cut-off second priority load with the criteria of the battery status or overtemp. One of the 4 LED 15 to 18 or 10 will be chosen as the cut off criteria. The second priority loads will be supply only if the battery as a sufficient residual capacity

6.5 Disabling some of the XP-COMPACT functions

Each different function charger, inverter and transfer can be disabled. This is useful for specific applications witch required to disable some of these tree functions.

If you press the buttons (19 and 20) more than 2 seconds, you can have the access to the different possibilities shown in the following diagram.

In programming mode the display show only the different types of program with the three DEL 2,7 and 9 to each functions. To change the type of programming press shortly the button 20 until your reach to the right function use according table below. After 10 seconds the XP-COMPACT exits the programming mode and load the new change.

In user mode, the disabled functions are displayed by blinking LED. So you can see in witch mode is disabled.

6.5.1 Diagram of the different mode

		All the functions are enabled. This is the factory setting.
		The inverter is disabled. Only the transfer switch and the charger will work normally.
		Charger and transfer switch are disabled. the inverter will work continuously even if there is a correct AC voltage at the input
		Inverter and charger are both disabled. Only the transfer switch function is enabled in input voltage and frequency is OK.

7 Maintenance

Apart from the periodic controls mentioned for the connections, the XP-COMPACT does not need any maintenance. Keep the appliance clean and from time to time wipe it clean with a damp cloth.

8 CE Compliance

Hereby we state that the products described in this user manual meet the following standards:

EN 61000-6-1, EN 61000-6-3, EN 55014, EN 55022, EN 61000-3-2, Dir. 89/336/EEC, LVD 73/23/EEC, EN 50091-2, EN 60950-1.

CH-1950 Sion, the 1st of January 2003

STUDER INNOTEK (R.Studer)



9 Technical Data

Model	XPC 1400-12	XPC 2200-24	XPC 2200-48
-------	-------------	-------------	-------------

Inverter

Nominal battery voltage	12V	24V	48V
Input voltage range	9.5 – 16V	19 - 32V	38 - 64V
Continuous power @ 25°C	1100VA	1600VA	1600VA
Power 30 min. @ 25°C	1400VA	2200VA	2200VA
Maximum power load 5 sec.	3 x Pnom		
Maximum load	up to short circuit		
Maximum asymmetric load	up to Pcont.		
Stand-by adjustment	1 to 25W		
Cos φ	0.1 - 1		
Maximum efficiency	94%	95%	
Consumption OFF/Stand-by/ON	0.5/0.6/4W	0.8/0.9/7W	1.2/1.3/7W
Output voltage	230Vac (- 10% / 0)		
Output frequency crystal controlled	50Hz +/- 0.05%		
Total harmonic distortion	< 4%	< 2%	
Dynamic behaviour on load change 0 to 100%	0.5 ms		
Overload and short circuit protection	Automatic disconnection with 3 time restart attempt		
Overheat protection	Acoustic warning before shut-off - with automatic restart		

Battery charger (4 STEP) I-U-Uo-Equalize (every 25 cycles)

Charging current adjustable	0 - 45A	0 - 37A	0 - 20A
Input current balance adjustment (Power Sharing)	n.a.		
Maximum input voltage	265Vac		
Minimum input voltage	Adjustable threshold from 150 to 230Vac		
Input frequency	45 - 65Hz		
Power Factor Correction (PFC)	EN 61000-3-2		

Optional solar charger (4 stages) I-U-Uo-Equalize (every 25 cycles)

Maximum PV open circuit voltage (V)	25V	45V	90V
Maximum charge current (A)	30A	30A	20A
Working principle: I-U-Uo-Equalize (every 25 cycles)	Shunt		

Battery control (thresholds and times adjustable by the user)

Absorption time	0-4 h		
End charge cycle voltage	14.4V	28.8V	57.6V
Floating voltage	13.6V	27.2V	54.4V
Equalization voltage	15.6V	31.2V	62.4V
Deep-discharge protection	10.8V	21.6V	43.2V
Temperature compensation (optional CT-35)	-3mV / °C / cell		

General data

Multifunction contact - potential free (3 points)	16A - 250Vac		
Max. current on transfer relay	16A/3.7kVA	16A/3.7kVA	16A/3.7kVA
Transfer time	< 20 ms		
Weight	11.7 kg	12.6 kg	
Dimension h x l x L [mm]	124x215x410		
Protection index IP20	IP23 with top cover CxxxxIP23		
Certification ECE-R 10 (E24)	yes	yes	n.a.
EC conformity	EN 61000-6-1, EN 61000-6-3, EN 55014, EN 55022, EN 61000-3-2, Dir. 89/336/EEC, LVD 73/23/EEC, EN 50091-2, EN 60950-1		
Operating temperature range	-20 to 55 °C		
Ventilation	from 45 °C		
Acoustic level without / with ventilation	< 10 dB / < 35 dB		
Warranty	2 years		

Options

Solar charge controller	XPC xxxx-S
Remote control (112 x 138 x 25mm / 20 m cable)	RCC-01
IP-23 top cover	C-IP23
AC cable cover	CFC-01
Battery temperature sensor (58 x 51.5 x 22mm / 3 m cable)	CT-35

Data may change without any notice